

Speaker

Model: OSS18-4340-10A1.0W8-T



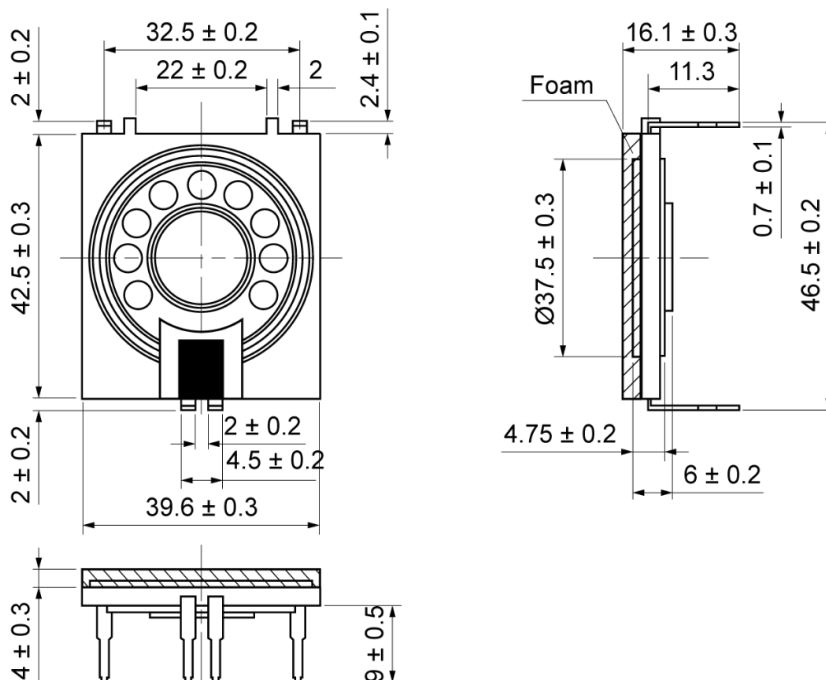
ELECTRICAL SPECIFICATIONS

	Condition	Parameter	Unit
Sound Pressure Level	at 0.1W, 0.1M [at 0.6, 0.8, 1.0, 1.2KHz]	93 ± 3	dB
Impedance	at 1V, 1000Hz	8 ± 15%	Ω
Rated Input Power		1	W
Max Input Power		1.5	W
Resonant Frequency (Fo)	at 1V	600 ± 25%	Hz
Frequency Range		F0 ~ 5000	Hz
Buzzer & Rattles	not be audible at sine wave between 450 ~ 5KHz	2.83	V
Operating Temperature		-40 ~ 85	°C
Magnet		Nd-Fe-B	
Frame Material		Noryl	
Cone Material		Mylar (PEI)	
Weight		9	g

MECHANICAL DRAWING

Dimensions in mm

Tolerance ±0.5mm Except Specified



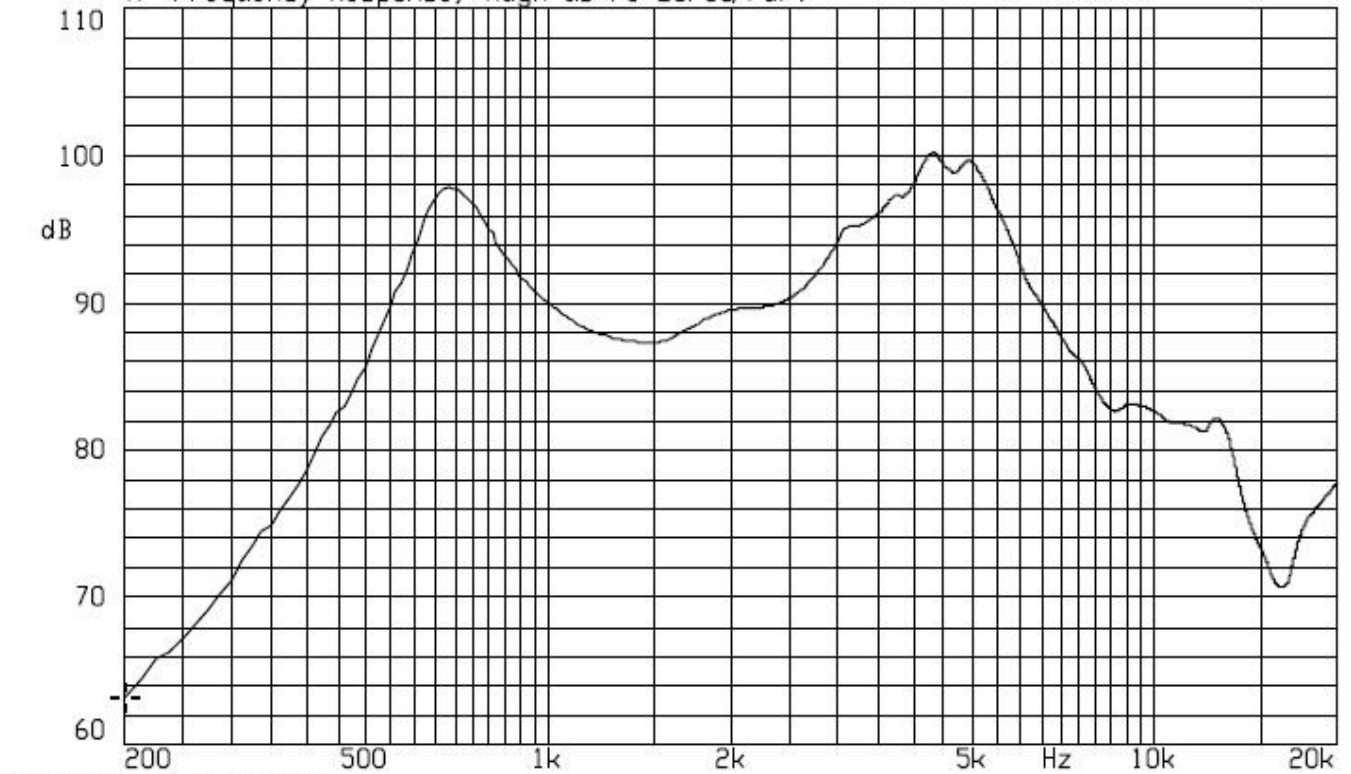
Speaker

Model: OSS18-4340-10A1.0W8-T

FREQUENCY RESPONSE CURVE

X: 200.00Hz 0.1m 0.1W 0.89V
Y: 63.17dB ZA: Live Curve TSR fund.

A: Frequency Response, Magn dB re 20.00µPa/V



09-JAN-2012 14:59:04

Model: TSR

